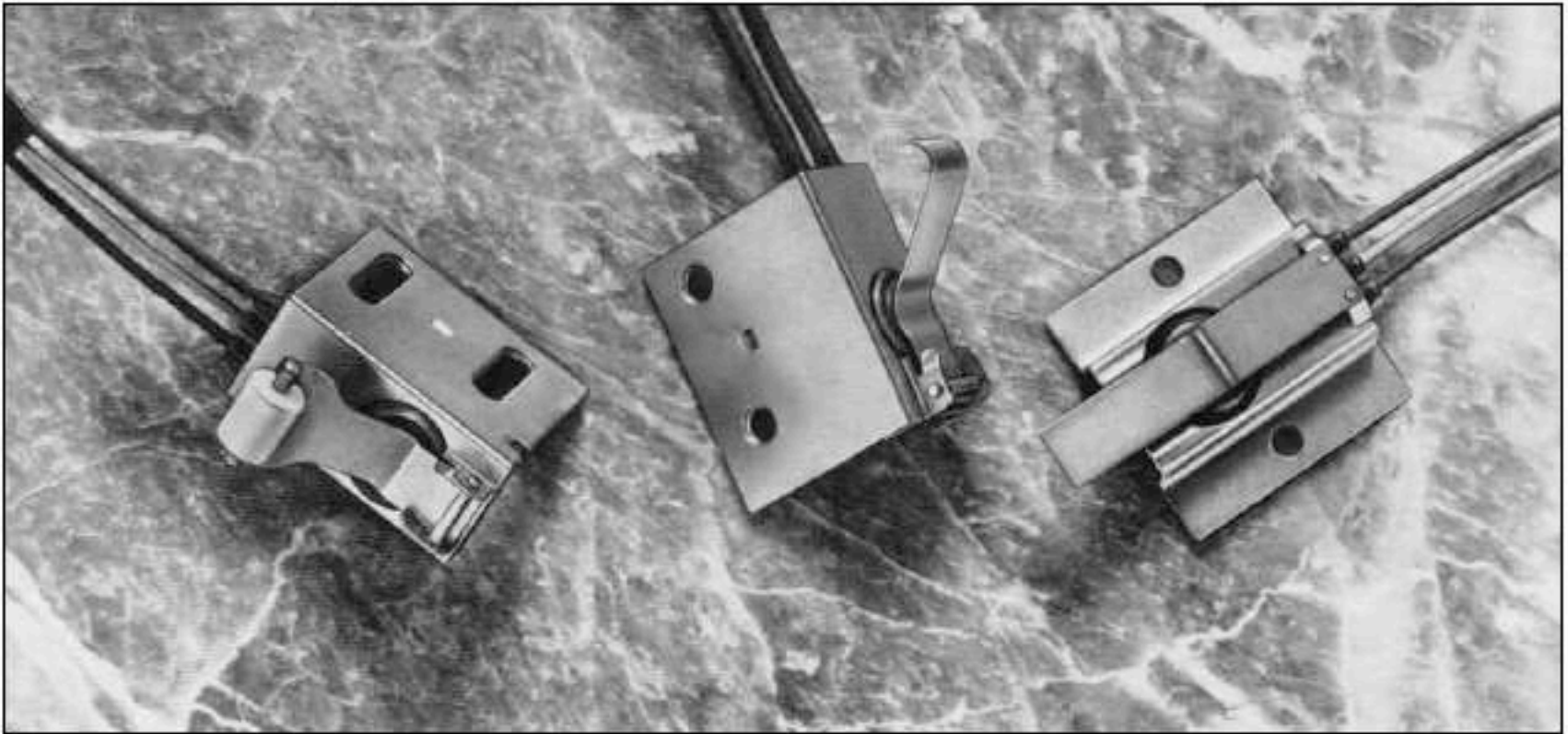


# CPI® Limit Switches, E Series



When you combine one of CPI's industrial or military grade switches with a CPI mounting bracket and actuator, the result is a limit switch that you can customize for your particular application.

Basically, there are three methods for actuation: lever, lever/roller, and manual. The information that follows presents our standard brackets by the type of actuation desired. Within each category, there are different

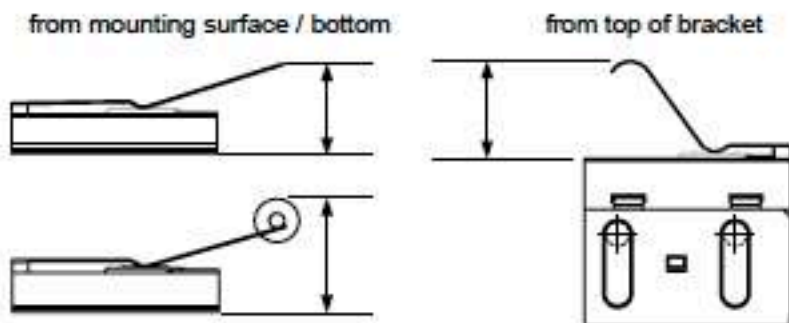
configurations for surface, recessed, and angle mounting, as well as designs for one or two button switches.

CPI can also custom design mounting brackets for non-standard applications. Some of these are shown under the designation "Special Brackets" in the information that follows.

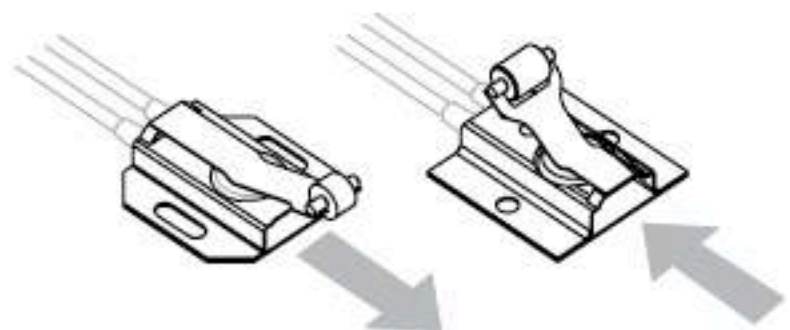
All brackets are fabricated from 302 or 304 stainless steel. Springs are made of 17-7ph stainless steel.

## DIMENSIONAL TERMINOLOGY & CONVENTIONS

**Free Height:** the dimension of the actuating spring in its natural position relative to a location or surface.



**Wire / Cable Direction:** leads exit the brackets at the opening furthest from the switch button area. Please note the direction of the actuating spring as it may be facing towards or away from the leads.



**Mounting Holes / Slots:** Unless otherwise noted, mounting holes and slots are .22" diameter / wide.

Direction of longitudinal actuation

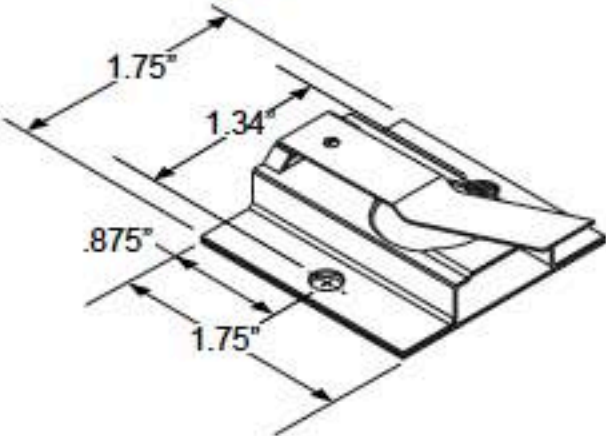


# CPI® Limit Switches, E Series

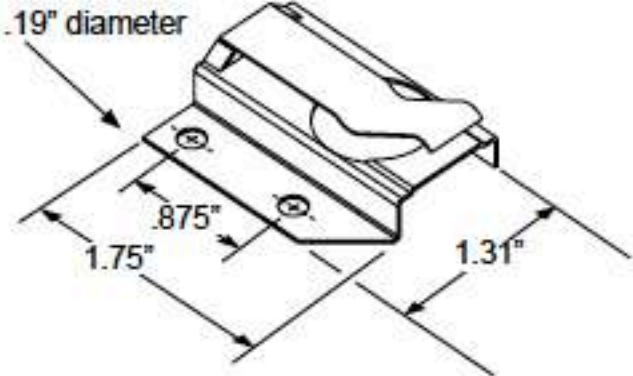
## SURFACE MOUNT SWITCHES

The following are used with low button momentary switches

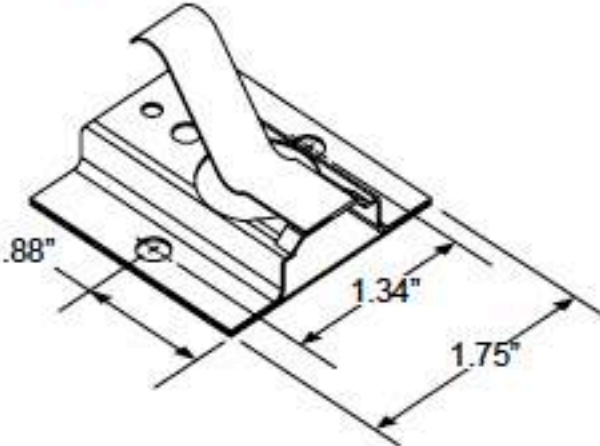
**E1094**  
.755" spring free height  
from mounting surface



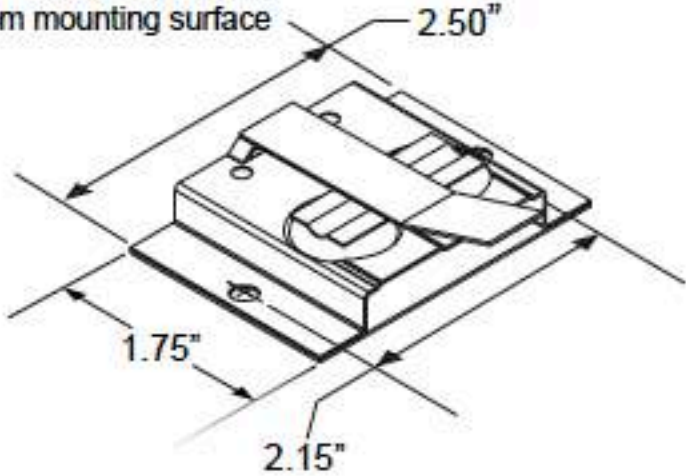
**E1078**  
.69" spring free height  
from mounting surface



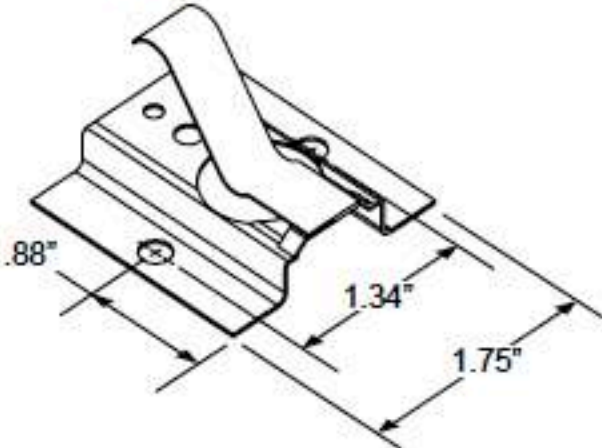
**E1127**  
1.17" spring free height  
from mounting surface



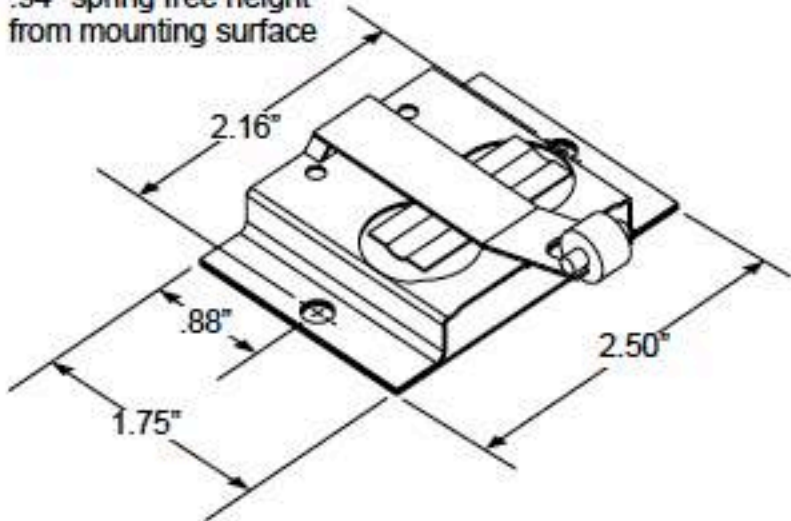
**E1046**  
.71" spring free height  
from mounting surface



**E1115**  
1.17" spring free height  
from mounting surface



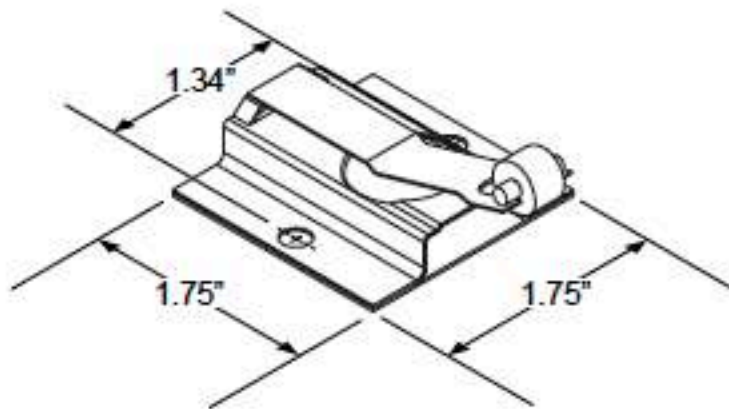
**E1085**  
.94" spring free height  
from mounting surface



# CPI® Limit Switches, E Series

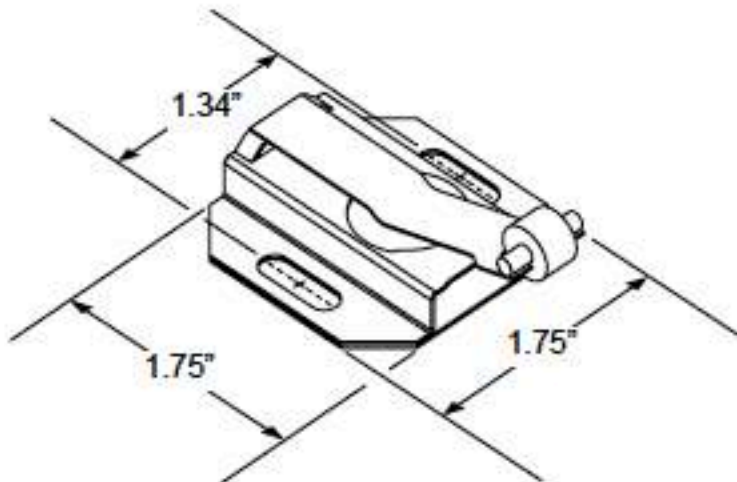
## E1096

.98" spring free height from mounting surface



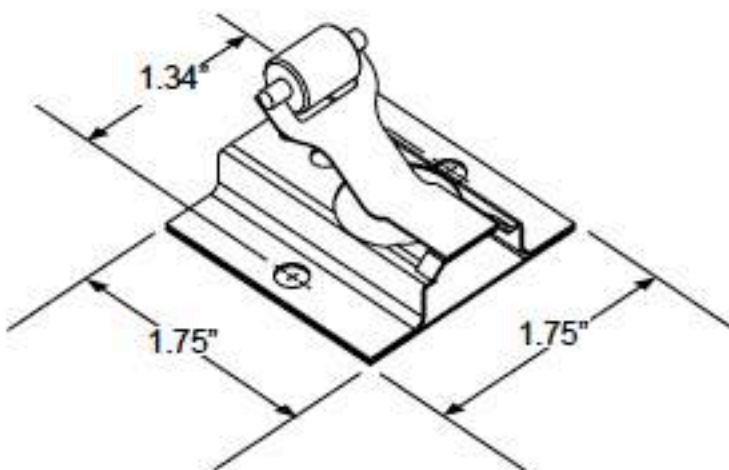
## E1134

.95" spring free height from mounting surface



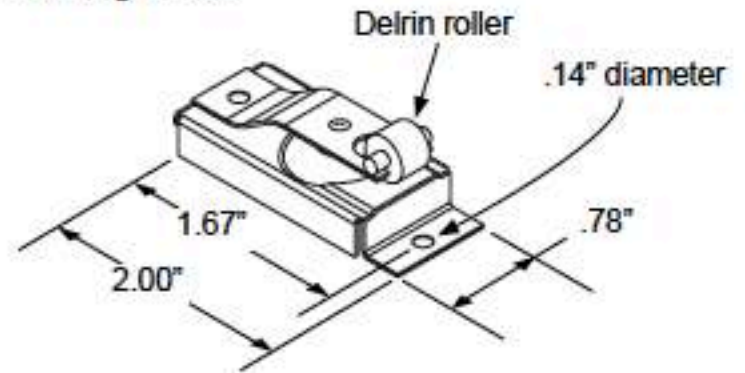
## E1283

1.27" spring free height from mounting surface



## E1031

1.17" spring free height from mounting surface

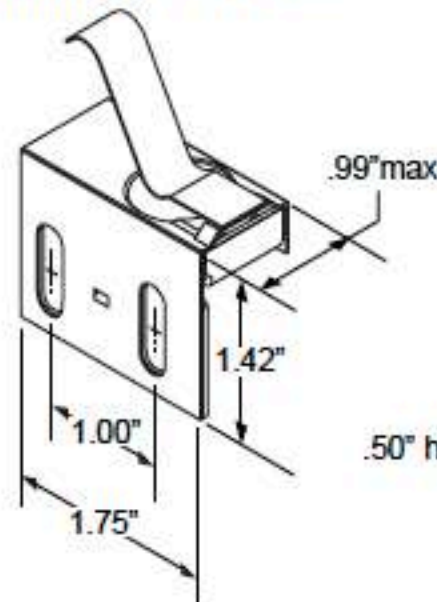


## ANGLE MOUNT SWITCHES

The following are used with low button momentary switches

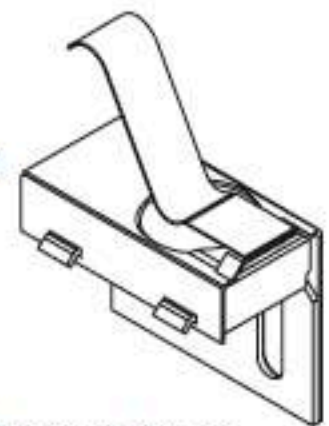
## E1112

.81" spring free height from bracket top surface



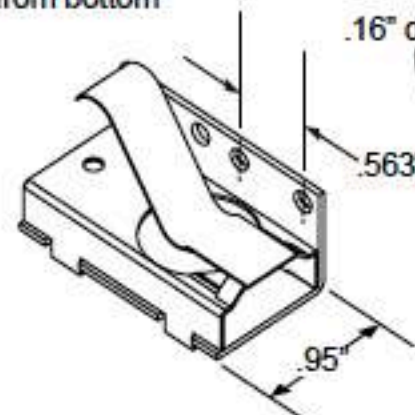
## E1092

.50" height adjustment



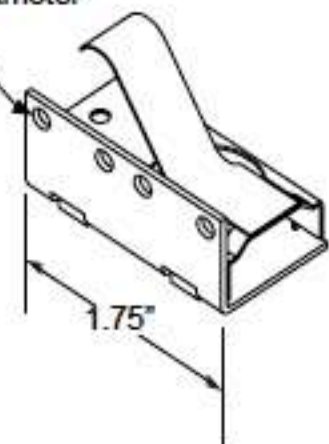
## E1310

1.188" spring free height from bottom



## E1303

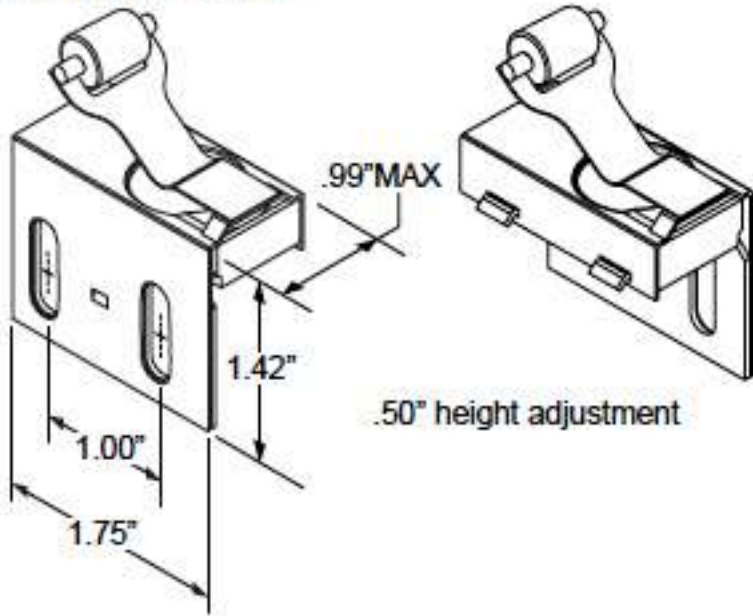
.16" diameter





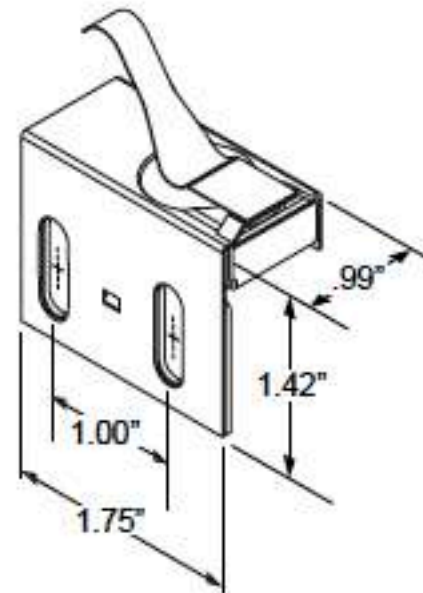
# CPI® Limit Switches, E Series

**E1161**  
 .81" spring free height  
 from bracket top surface

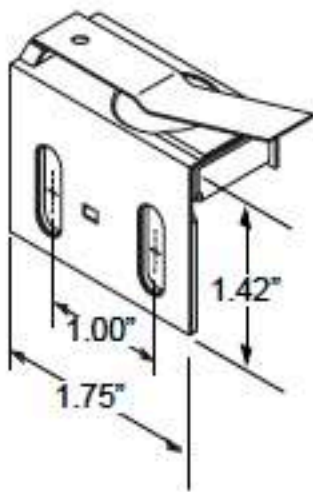


**E1117**  
 .50" height adjustment

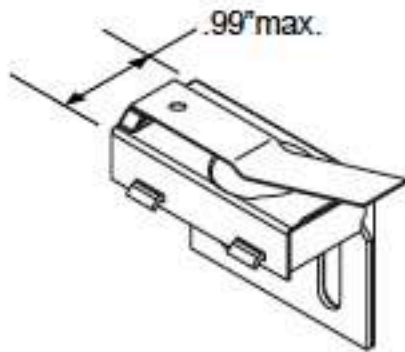
**E1129**  
 .70" spring free height  
 from top of bracket



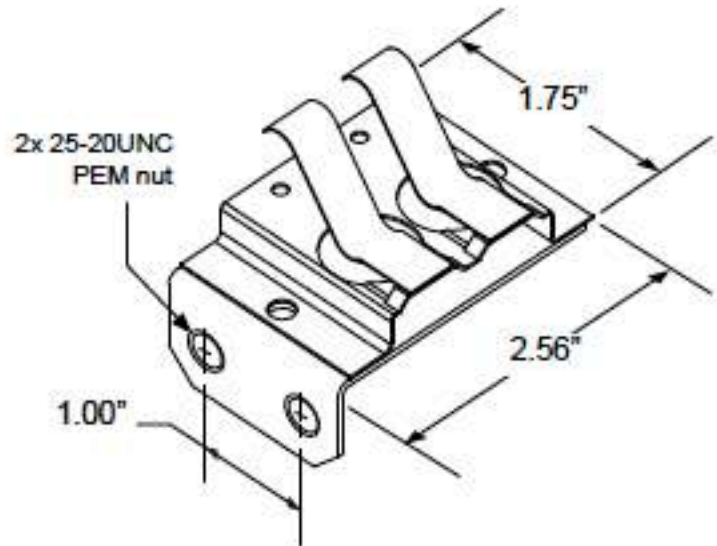
**E1100**  
 .47" spring free height  
 from top of bracket



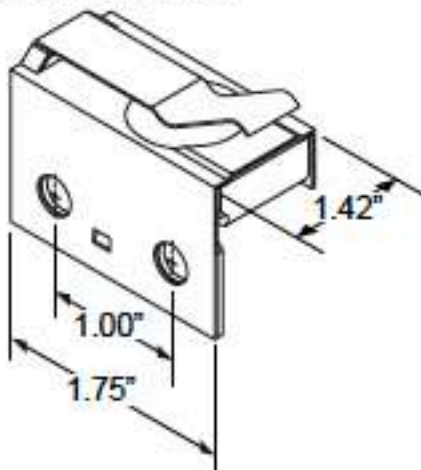
**E1101**  
 .99" max.



**E1131**  
 1.65" spring free height  
 from center of mounting holes



**E1118**  
 .36" spring free height  
 from top of bracket



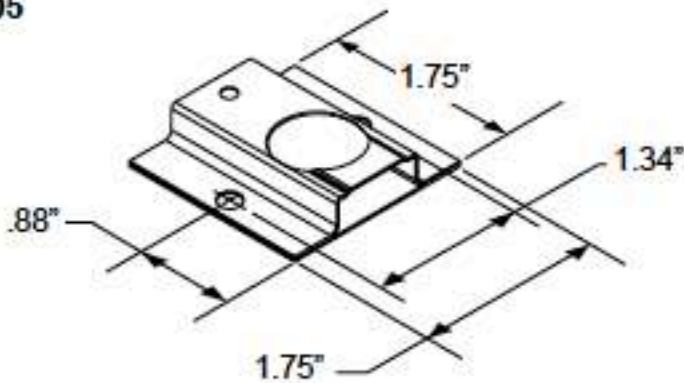
**E1120**

# CPI® E Series Mounting Brackets

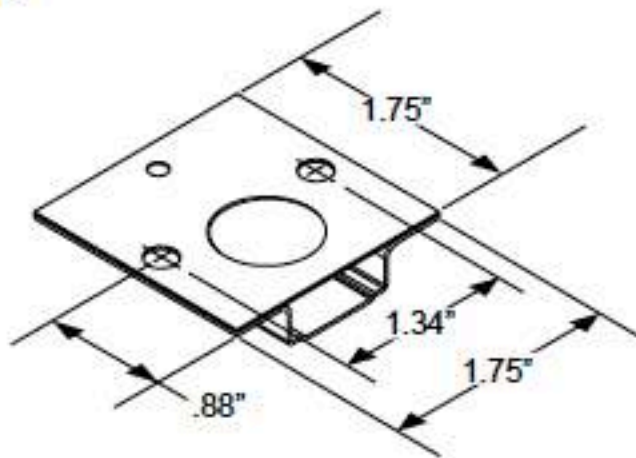
## MANUAL ACTUATION SWITCHES

The following may be used with any height button switch.

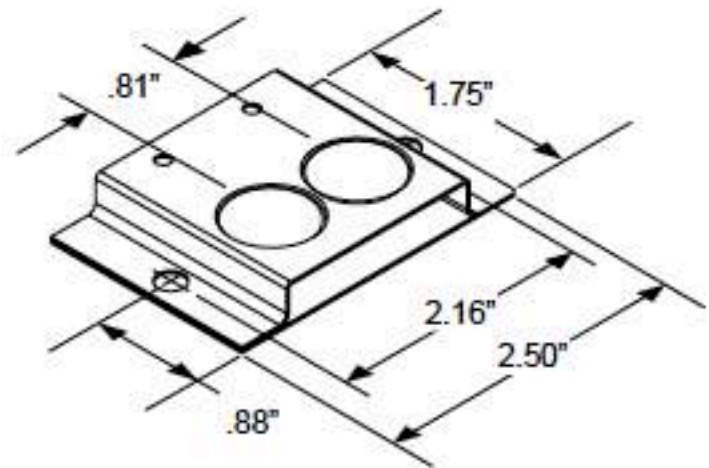
E1005



E1005

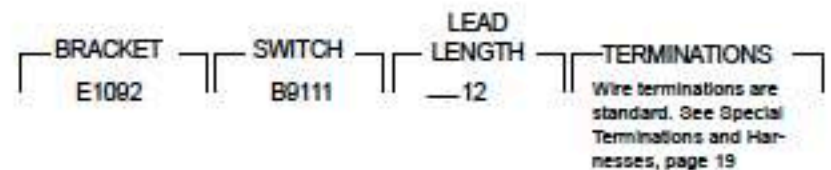


E1058

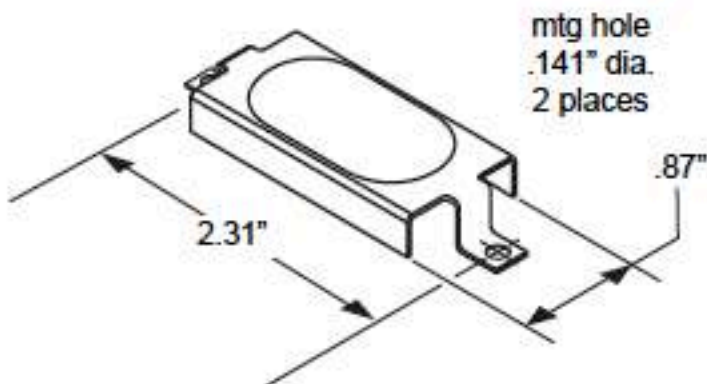


### ORDERING INFORMATION:

The complete ordering information for E1 limit switches is illustrated below. The first series of characters indicates the E1 bracket followed by the momentary switch and the last number indicates the lead length in inches. The example here designates an E1902 angle bracket, switch (low button, 2 wire, NO) with 12" leads. Dashes are used to separate the different components of the part number.



E1057



For use with 2-wire switches only.  
Designed for K1005, but can be used also with Industrial Grade momentary switches.